



PINM8

BY  
TecTecTec!

# KEY FEATURES



SLOPE



MAGNET



COMPACT  
(PINM8 PRO)



TARGET LOCK VIBRATION



# TecTecTec!

ONLY WHAT YOU NEED

THE TecTecTec! FAMILY WANTS TO SINCERELY THANK YOU FOR BELIEVING IN OUR PRODUCT AND MESSAGE. OUR GOAL IS TO MAKE CLEAN, SMART AND SIMPLE DESIGNS THAT LEAVE A POSITIVE AND LONGSTANDING IMPACT IN THE GOLF INDUSTRY.

WE HOPE YOU ENJOY YOUR EXPERIENCE WITH OUR BRAND. FEEL FREE TO GIVE YOUR INSIGHTS AND FEEDBACK THROUGH THE FOLLOWING OUTLETS. BE WELL AND WE APPRECIATE YOU.

*Renan Lore* FOUNDER

	EMAIL: <a href="mailto:US@TECTECTEC.COM">US@TECTECTEC.COM</a>		INSTAGRAM: <a href="https://www.instagram.com/TECTECTECUSA">TECTECTECUSA</a>
	WEB: <a href="http://US.TECTECTEC.COM">US.TECTECTEC.COM</a>		FACEBOOK: <a href="https://www.facebook.com/TECTECTEGLOBAL">TECTECTEGLOBAL</a>
	PHONE: (833) 383-2669		TWITTER: <a href="https://www.twitter.com/TECTECTECUSA">TECTECTECUSA</a>

# WARRANTY + REGISTRATION

---

PLEASE REGISTER AT [US.TECTECTEC.COM/WARRANTY](https://us.tectectec.com/warranty) TO VALIDATE AND SUBSCRIBE TO THIS ALREADY INCLUDED FREE SERVICE.

THE FOLLOWING IS INCLUDED:

- + 30 DAY MONEY BACK GUARANTEE
- + 2-YEAR LIMITED WARRANTY (ONLINE REGISTRATION REQUIRED)
- + ENROLLED AS A TECTECTEC! MEMBER
- + RECEIVE EXCLUSIVE DISCOUNTS
- + PRE-RELEASE INSIDER ACCESS TO NEW PRODUCTS
- + ONLY WHAT YOU NEED


# FEATURES

---

- + MAGNET (PINM8 PRO ONLY)
- + LED SLOPE INDICATOR
- + ACCURATE WITHIN +/- 1 YARD
- + FAST AND EASY TO USE
- + COMPACT AND LIGHTWEIGHT
- + ERGONOMIC DESIGN
- + AUTOMATIC SHUT-OFF
- + INVISIBLE LASER
- + ADJUSTABLE DIOPTER (EYEPIECE)
- + COMPLIES WITH THE USGA TOURNAMENT RULE 14-3

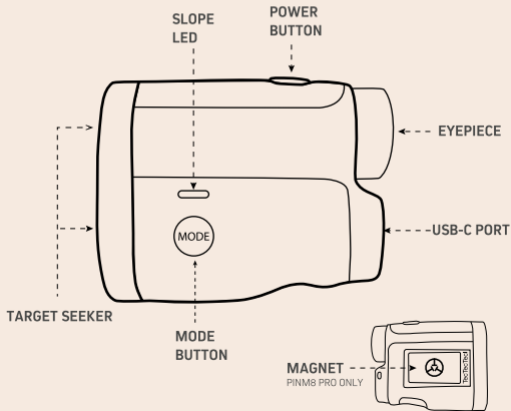
# SPECS

---

- + OBJECTIVE LENS \_\_\_\_\_ 20MM
- + MAGNIFICATION \_\_\_\_\_ 6X
- + FIELD OF VIEW \_\_\_\_\_ 7°
- + EXIT PUPIL DIAMETER \_\_\_\_\_ 3.5MM
- + DIOPTR ADJUST RANGE \_\_\_\_\_ ±5
- + WORKING TEMPERATURE \_\_\_\_\_ -20 TO 50°C
- + ACCURACY \_\_\_\_\_ ±1 M (Y)
- + BATTERY CAPACITY \_\_\_\_\_ 500mA
- + BATTERY METER \_\_\_\_\_ 
- + VIBRATION \_\_\_\_\_ YES
- + FLAG-LOCK \_\_\_\_\_ YES
- + WEIGHT (W/O BATTERY) \_\_\_\_\_ 158G
- + DIMENSIONS \_\_\_\_\_ 95.5×41.5×77.5MM

# OPERATIONAL COMPONENTS

---



# UNITS + POWER + BATTERY

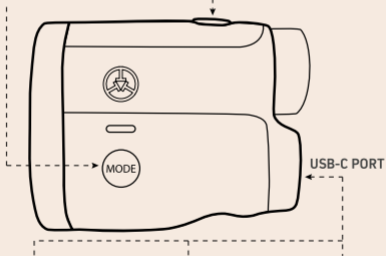
---

## CHANGE UNIT MEASUREMENTS

PRESS AND HOLD FOR (3 SECONDS)  
(YARDS OR METERS)

## POWER

TURN ON - PRESS BUTTON  
TURN OFF - AUTO (30 SECONDS)



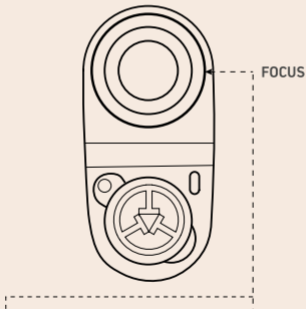
1. PULL THE COVER

2. PLUG THE  
USB-C CABLE

3. WHEN LED TURNS GREEN,  
DEVICE IS FULLY CHARGED

# FOCUS

---

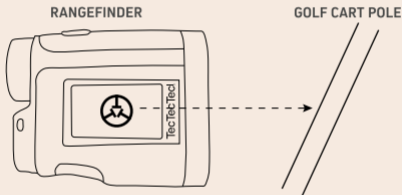


1. LOOK THROUGH THE RUBBER EYEPIECE

2. TURN THE EYEPIECE/DIOPTER TO THE LEFT OR RIGHT UNTIL THE IMAGE IS CLEAR

# MAGNET

---



- MAKE SURE NO OBJECTS/MATERIALS ARE BETWEEN MAGNET AND BELT CLIP.
- THE MAGNET CANNOT PREVENT THE RANGEFINDER FROM DROPPING. WARRANTY DOES NOT COVER RANGEFINDER IF DROPPED.

---

**WARNING: THE KLYR RANGEFINDER CONTAINS A NEODYMIUM MAGNET.**

- MAGNETS COULD AFFECT THE FUNCTIONING OF PACEMAKERS AND IMPLANTED DEFIBRILLATORS. IF YOU USE THESE, KEEP SUFFICIENT DISTANCE FROM MAGNET.
- MAGNETS PRODUCE A FAR-REACHING AND STRONG MAGNETIC FIELD. THEY COULD DAMAGE TVS, LAPTOPS, COMPUTER HARD DRIVES, CREDIT AND ATM CARDS, DATA STORAGE MEDIA, MECHANICAL WATCHES, HEARING AIDS AND SPEAKERS.
- KEEP DEVICES AWAY THAT COULD BE DAMAGED BY STRONG MAGNETIC FIELDS.

# LCD DISPLAY FEATURES

---

## INDEX

- A. PIN SEEKER INDICATOR
- B. DISTANCE (METERS / YARDS)
- C. MODE NUMBER
- D. BATTERY JUICE
- E. AIMING CROSS-HAIRS
- F. ANGLE INDICATOR
- G. SLOPE - CORRECTED DISTANCE



---

THE **PINM8** RANGEFINDER USES EYE-SAFE BEAMS TO MEASURE DISTANCE TO OBJECTS UP TO 800 YARDS AWAY, BY MEASURING THE TIME IT TAKES FOR THE LASER PULSE TO REFLECT OFF OF THE TARGET AND RETURN.

RANGEFINDER WILL NOT MEASURE DISTANCES WHILE AIMING THROUGH GLASS OR PLASTICS (IE. WINDOWS AND GOLF CART WIND SHIELDS)

# MODE: NORMAL

---

1. AIM AT THE OBJECT WHOSE DISTANCE YOU WANT TO CALCULATE.

①



2. PRESS THE POWER BUTTON ONCE BRIEFLY WHILE AIMING AT A TARGET, SUCH AS A BUNKER. THE DISPLAY SCREEN WILL SHOW THE DISTANCE. AFTER TAKING A MEASUREMENT, PRESS THE POWER BUTTON AGAIN TO FIND THE DISTANCE TO A NEW TARGET.

②



---

**NORMAL MODE** WILL ALLOW YOU TO FIND THE EXACT DISTANCE QUICKLY. USE NORMAL MODE WHEN YOU ARE MEASURING THE DISTANCE TO AN AREA OR A FLAG THAT IS CLEARLY DEFINED WITH A SIMPLE BACKGROUND. NORMAL MODE IS BEST SUITED FOR TARGETS WITHIN 250 YARDS.

NOTE: NORMAL MODE AND SCAN MODE WILL NOT SHOW THE FLAG ICON (WHICH IS THE PIN SEEKER MODE INDICATOR)

# MODE: SCAN

---

1. HOLD THE POWER BUTTON FOR 8 SECONDS. AT THE SAME TIME, SWEEP THE RANGEFINDER FROM OBJECT TO OBJECT.

①



2. THE DISPLAY SCREEN WILL SHOW CONTINUOUS DISTANCE MEASUREMENT. PRESS THE POWER BUTTON TO FIND THE DISTANCE TO A NEW TARGET.

②



---

USE **SCAN MODE** WHILE IN "NORMAL MODE" JUST BY HOLDING DOWN THE POWER BUTTON WHEN DETERMINING THE DISTANCE TO HAZARDS AND FOR UNDERSTANDING MULTIPLE DISTANCES. USE IN WINDY CONDITIONS AND FOR TARGETS SURROUNDED BY BACKGROUND OBJECTS.

NOTE: NORMAL MODE AND SCAN MODE WILL NOT SHOW THE FLAG ICON (WHICH IS THE PIN SEEKER MODE INDICATOR)

# MODE: PIN SEEK + VIBRATION

---

1. PRESS THE MODE BUTTON BRIEFLY TO SEE A FLAG ICON ON THE DISPLAY WHICH INDICATES THAT YOU ARE IN PIN SEEKER MODE.
2. PRESS AND HOLD THE POWER BUTTON WHILE SLOWLY SWEEPING OVER THE FLAG..
3. THE RANGEFINDER WILL LOCK ONTO THE NEAREST TARGET (I,E, THE FLAG) AND DISPLAY THE DISTANCE.



---

USE **PIN SEEKER MODE** TO FIND THE CLOSEST VERTICAL OBJECT SUCH AS THE DISTANCE TO A FLAGSTICK ON A GREEN WITH WOODS IN THE BACKGROUND; AS WELL AS WHEN MEASURING OVERLAPPING TARGETS.

NOTE: IT IS IMPORTANT NOT TO PAN TOO FAR BECAUSE THE RANGEFINDER MAY "LOCK" ONTO AN OBJECT IN THE CLOSEST DISTANCE THAT IS NOT YOUR INTENDED TARGET.

# MODE: SLOPE + VIBRATION

---

1. PRESS THE MODE BUTTON BRIEFLY TO VIEW 'M3' AND '0°' DISPLAYED IN THE TOP-LEFT CORNER OF THE SCREEN.
2. PRESS THE POWER BUTTON AND AIM AT THE TARGET WHOSE DISTANCE YOU WANT TO CALCULATE.
3. THE ANGLE OF THE SLOPE WILL APPEAR. THE TOP RIGHT DISTANCE WILL BE THE SLOPE-CORRECTED.



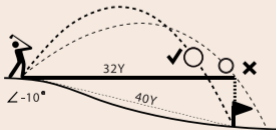
---

USE **SLOPE MODE** TO OBTAIN ACCURATE DISTANCE MEASUREMENTS ADJUSTED FOR VARYING TERRAIN INCLINES OR DECLINES.

# MODE: SLOPE + PIN SEEKER

A) THE DISTANCE SHOWN IN THE LARGE FONT SIZE WILL BE THE FULL DISTANCE.

C) THE DISTANCE SHOWN, UPPER RIGHT CORNER, IS THE SLOPE-CORRECTED DISTANCE.



- A) FULL DISTANCE
- B) ANGLE
- C) SLOPE CORRECTED  
ACTUAL DISTANCE

# MAINTENANCE

---

1. REMOVE DUST OR DIRT ON THE LENS SURFACE USING A SOFT, OIL FREE CLOTH BEFORE STORING THE RANGEFINDER.
2. REMOVE SMUDGES OR FINGERPRINTS BY GENTLY RUBBING WITH A SOFT GLASS CLEANING CLOTH OR A HIGH-QUALITY, OIL-FREE TISSUE.
3. IF WATER VAPOR ENTERS THE UNIT PLACE IT IN DIRECT SUNLIGHT FOR TWO TO THREE HOURS. DO NOT TURN ON.
4. USE LENS CLEANERS DESIGNED FOR USE WITH PHOTOGRAPHIC EQUIPMENT OR ISOPROPYL ALCOHOL TO WIPE THE LENSES. ALWAYS APPLY CLEANING FLUID TO THE CLEANING CLOTH FIRST. DO NOT POUR ANY LIQUIDS ONTO THE LENS
5. WHEN STORING THE RANGEFINDER FOR PERIODS LONGER THAN 30 DAYS, REMOVE THE BATTERY FIRST TO AVOID CORROSION.
6. ALWAYS STORE THE RANGEFINDER AT ROOM TEMPERATURE OR IN A CONTROLLED AND DRY AREA WITH LOW HUMIDITY. NEVER KEEP IN A VERY HOT NOR VERY COLD ATMOSPHERE.

# TROUBLESHOOT

---

## **NO DISPLAY**

1. CONNECT YOUR RANGEFINDER TO A POWER SOURCE
2. CLEAN THE BATTERY CONTACTS
3. MAKE SURE THE BATTERY IS NOT DRAINED
4. PRESS THE POWER BUTTON FIRMLY

## **FADING DISPLAY**

1. BE SURE THE RANGEFINDER AND ITS CASE ARE COMPLETELY DRY
2. PLACE IT UNDER DIRECT SUNLIGHT FOR 3-4 HOURS

## **CANNOT MEASURE**

1. BE SURE THE DEVICE IS POWERED (NOTHING BLOCKING LENSES)
2. MAKE SURE YOU ARE NOT MEASURING BEYOND MAXIMUM DISTANCE
3. THE TARGET MUST BE FURTHER AWAY THAN 15 METERS/16 YARDS
4. PRESS THE POWER BUTTON BRIEFLY IN NORMAL MODE

## **DOES NOT MEASURE SLOPE**

1. AIM CROSS-HAIRS AT THE POINT YOU WISH TO MEASURE SLOPE
2. THE CROSS HAIRS SHOULD BE LEVEL WITH THE GROUND

# SAFETY

---

## **TO AVOID INJURY, FOLLOW THESE GUIDELINES**

1. KEEP AWAY FROM CHILDREN AND EXTREME TEMPERATURES
2. DO NOT POWER ON THE RANGEFINDER WHILE LOOKING INTO THE THE OBJECTIVE LENS OR LIGHT-RECEIVING APERTURE
3. DO NOT AIM AT THE EYES OF PEOPLE, ANIMALS OR THE SUN
4. DO NOT TOUCH THE SURFACE OF THE COATED LENS (LENS CLOTH ONLY)
5. DO NOT DISASSEMBLE (YOU WILL BE BREAKING THE WARRANTY)
6. DO NOT EXPOSE TO ANY LIQUID (RANGEFINDER NOT WATERPROOF)
7. DO NOT DRIVE AND USE RANGEFINDER SIMULTANEOUSLY



TecTecTec!  
ONLY WHAT YOU NEED

---

REDUCE  
REUSE  
RECYCLE



---

DESIGNED WITH LOVE